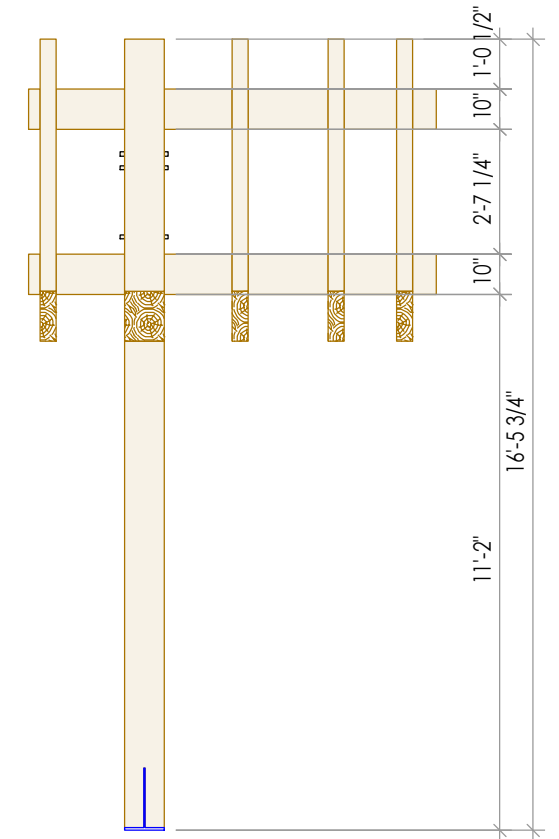
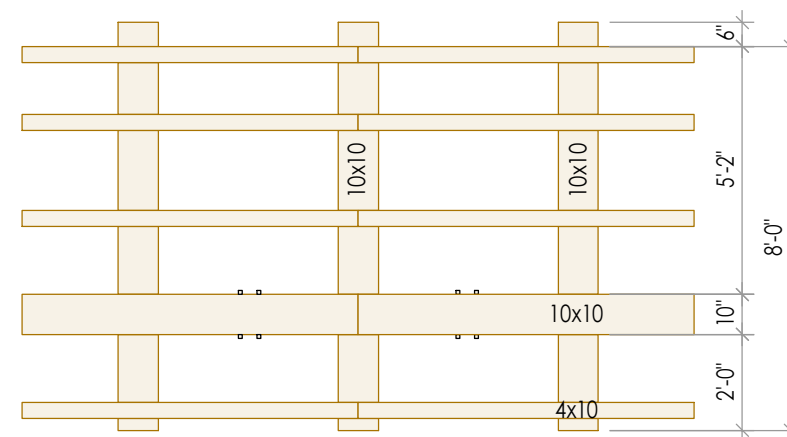


Elevation: Front



Elevation: Side



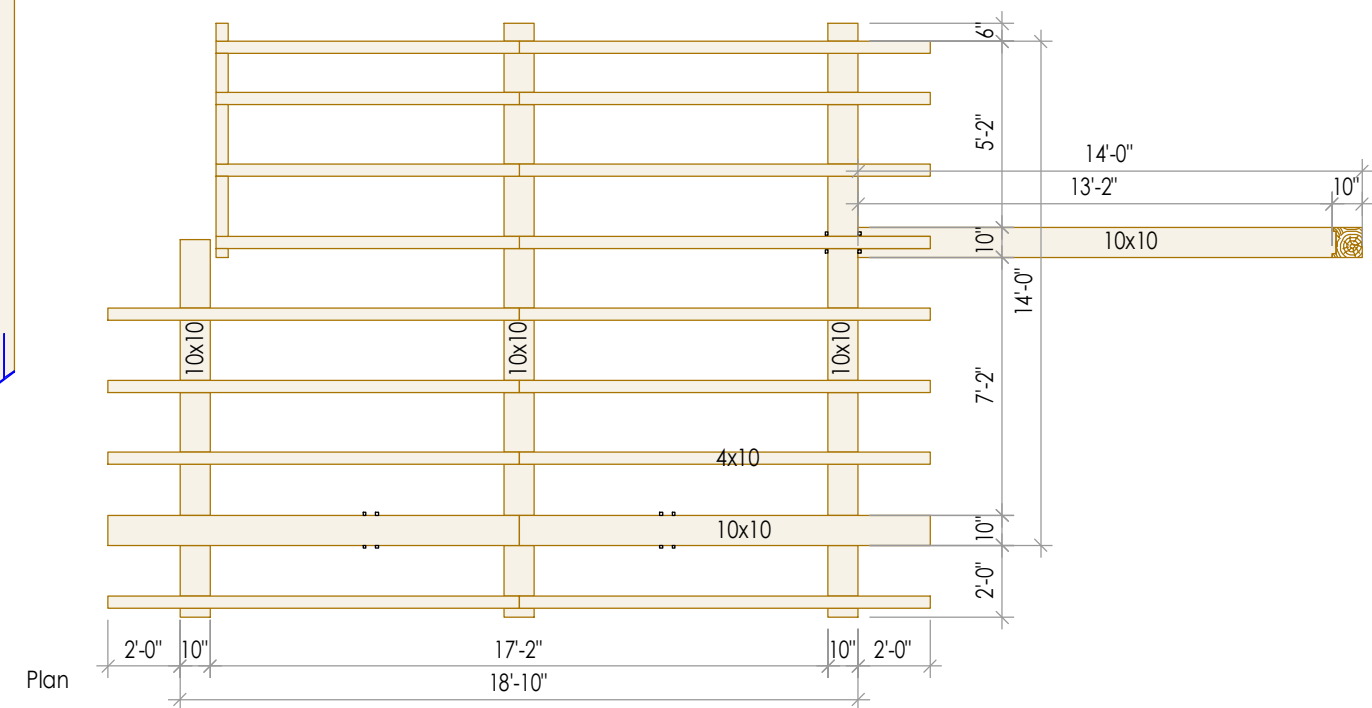
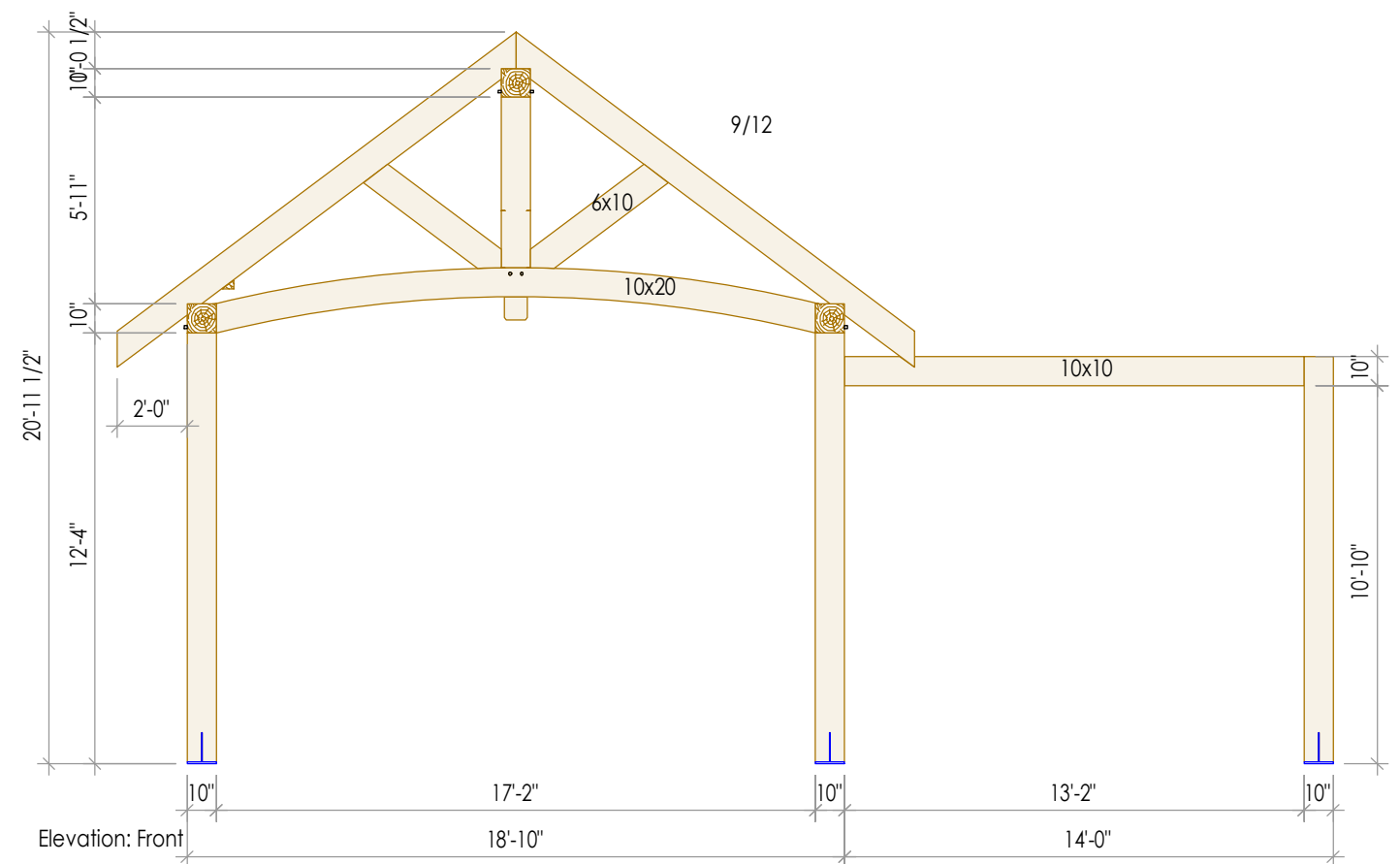
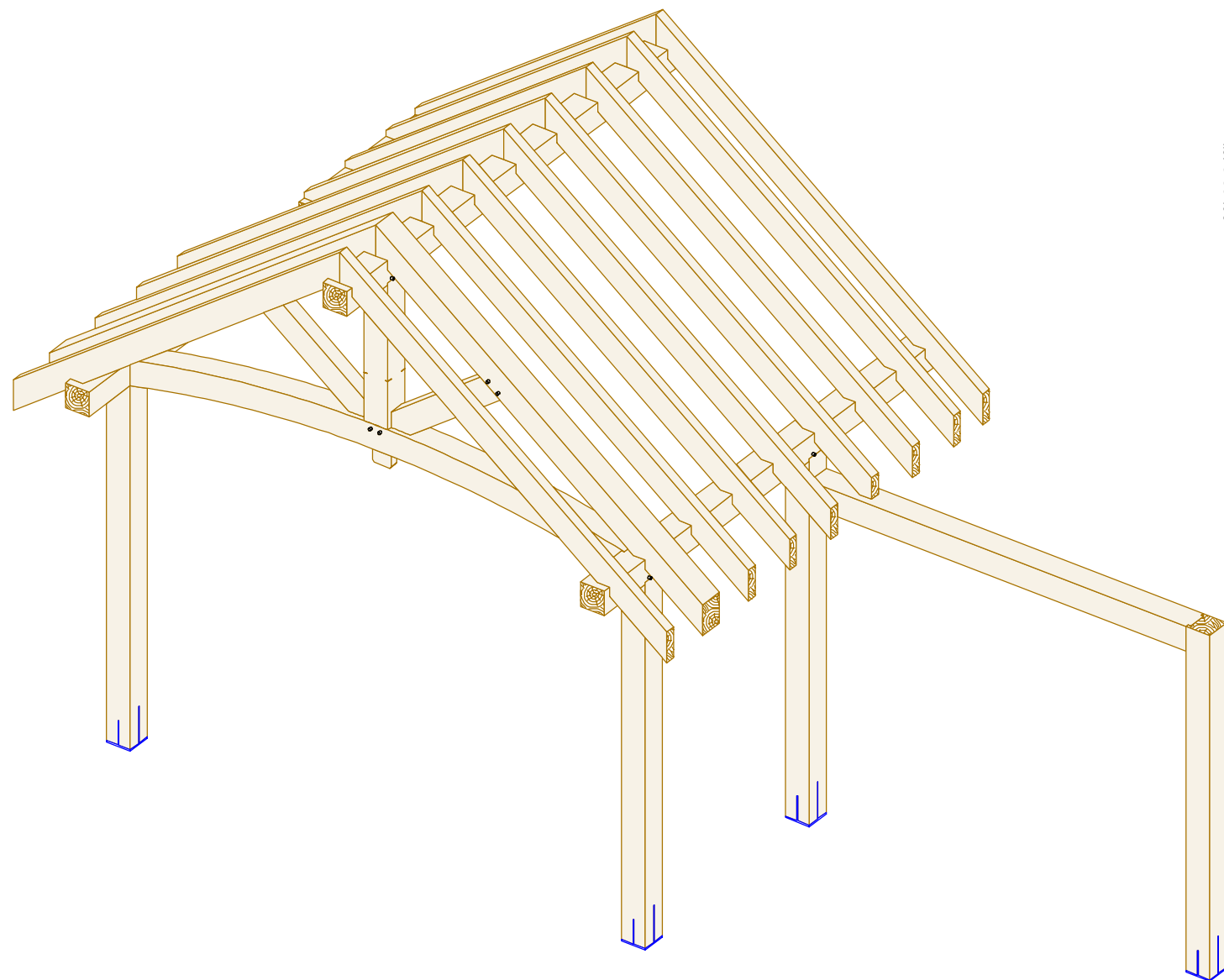
Plan

Front Entry

Project name:	Adkins Frame
Project number:	
Scale:	1/2" = 1'-0"

Architect:	
Customer:	
Designer:	



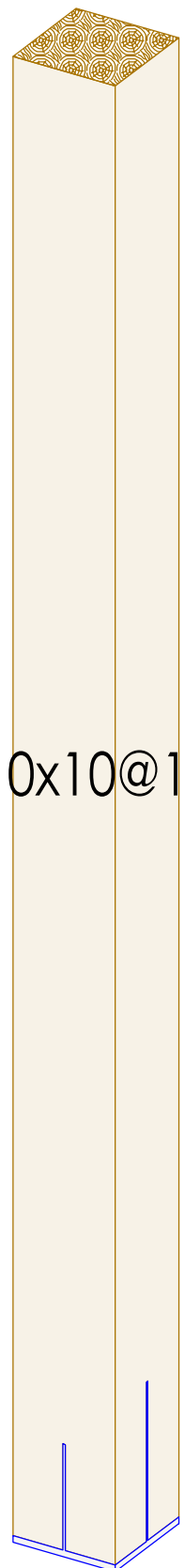


Front Deck

Project name:	Adkins Frame
Project number:	
Scale:	

Architect:	
Customer:	
Designer:	





10x10@12'

Dining Deck Post

Project name:	Adkins Frame
Project number:	
	Scale:

Architect:
Customer:
Designer:

